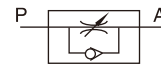


# Flow control valve

## ASC Series



### Ordering code

**ASC 300 10 T**

① ② ③ ④

① Model	② Code	③ Port size	④ Thread type
ASC: Flow control valve	100: 100 series	06: 1/8"	T: NPT
	200: 200 series	08: 1/4"	
	300: 300 series	10: 3/8"	
		15: 1/2"	

### Specification

Model		ASC100-06	ASC200-08	ASC300-10	ASC300-15
Fluid		Air (to be filtered by 40 μm filter element)			
Port size [Note1]		1/8"	1/4"	3/8"	1/2"
Pressure range		7~135psi(0.05~0.95MPa)			
Proof pressure		215psi(1.5MPa)			
Temperature		-20~70℃			
Material body		Aluminum alloy			
Flow (L/min)	Control flow	200	450	1250	1650
	Free flow	400	800	1500	2500

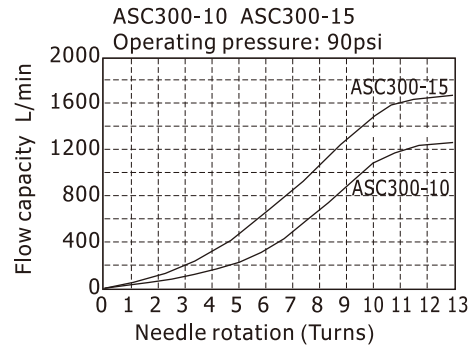
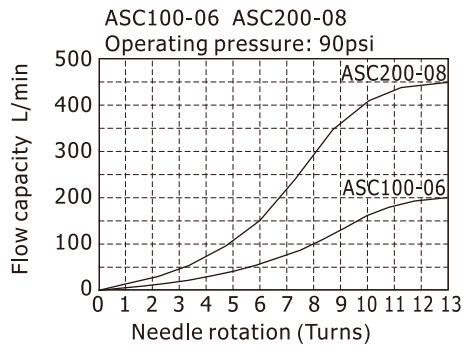
[Note1] NPT thread is available.

### Product feature

1. Small and compact structure.
2. Allows air to exhaust and cut off air flow. The adjustment screw is both sensitive and precise.
3. Can be mounted in various position to facilitate installation and application.

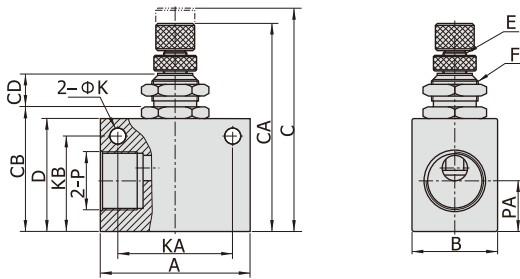
## ASC Series

### Flow chart

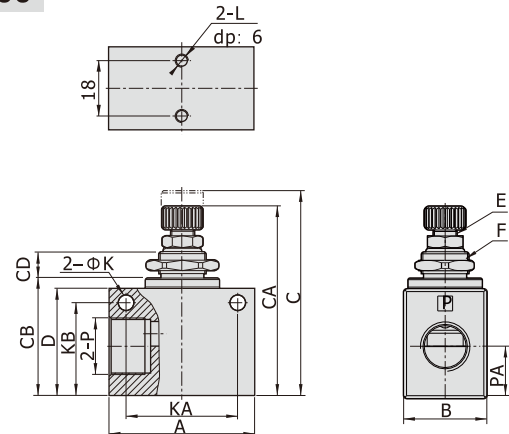


### Dimensions

#### ASC100\ASC200



#### ASC300



[Unit: mm]

Model\Item	A	B	C	CA	CB	CD	D	E	F	K	KA	KB	L	P	PA
ASC10006	32	18	52.5	47	26	8.6	23	M6×0.5	M12×0.75	4.3	22	18	M4×0.7	1/8"	10
ASC20008	36	18	56.5	51	30	8.6	27	M6×0.5	M12×0.75	4.3	26	23	M4×0.7	1/4"	13.5
ASC30010	50	28	74	65	40.5	10	37	M8×0.75	M16×1.0	5.3	35	32	M4×0.7	3/8"	17.5
ASC30015	50	28	74	65	40.5	10	37	M8×0.75	M16×1.0	5.3	35	32	M4×0.7	1/2"	17.5